



CWDM-SFP10G Datasheet

Product Overview: The CWDM-SFP10G transceivers are 10 Gigabit CWDM transceivers that are available in 8 different wavelengths from 1470nm to 1610nm. These transceivers are capable of reaching distances up to 80km and support DOM.

Features and Benefits: The SFP-10G-SR offers a wide variety of features and benefits such as:

- **Small Form Factor** – This SFP+ transceiver boasts the smallest form factor for 10G connectivity
- **Hot-Swappable** – This transceiver can be added or removed to your devices without powering them down
- **Digital Optical Monitoring (DOM)** – This capability allows you to have increased visibility by monitoring signal strength, temperature, and transceiver supply voltage.
- **RoHS Compliant** – These transceivers are RoHS compliant.

Platform Support: These modules are supported on the following Cisco switches and routers:

C9400-SUP-1	NCS-5002	C6824-X-LE-40G
C9400-SUP-1XL	NCS-5501	C6840-X-LE-40G
C9400-LC-24XS	NCS-5501-SE	C6880-X-LE-16P10G
C9400-SUP-1XL-Y	NC55-MOD-A-S	C6880-X-16P10G
C9500-24Y4C	NCS-55A2-MOD-S	C6816-X-LE
C9500-48Y4C	NC55-MPA-12T-S	C6832-X-LE
C9500-40X	NC55-MOD-A-SE-S	C6880-X
C9500-NM-8X	NCS-55A2-MOD-HD-S	C6880-X-LE
C9500-16X	C6800-32P10G-XL	N9K-C93180YC-EX
N5K-C5672UP-16G	C6800-16P10G-XL	N9K-C93180YC-EX
N5K-C5672UP	C6800-8P10G-XL	N9K-C93180YC-FX
N5K-C56128UP	C6800-32P10G	N9K-C93180YC-FX
N6K-C6001-64P	C6800-16P10G	N9K-C9348GC-FXP
N7K-F348XP-25	C6800-8P10G	N9K-C93240YC-FX2
N77-F348XP-23	C6800-SUP6T	N9K-C9372PX
N77-M348XP-23L	C6800-SUP6T-XL	N9K-C9372PX-E
NCS-5001		N9K-C9364C



CWDM-SFP10G Datasheet

N9K-C9332C	ASR-920-24SZ-IM	C3850-NM-2-10G
N3K-C34180YC	ASR-920-4SZ	C3850-NM-4-10G
C9300-NM-2Y	ASR-920-24TZ-M	C3850-NM-8-10G
C9300-NM-8X	NCS 4201-SA	WS-C3650-12X48UZ
N9K-X9564PX	WS-C3850-48F	WS-C3650-24TD
N9K-X9464PX	WS-C3850-48XS	WS-C3650-48TD
N9K-C92160YC-X	WS-C3850-48XS	WS-C3650-24PD
N9K-C92300YC	WS-C3850-48XS-S	WS-C3650-24PD
ASR-9001	WS-C3850-48XS-E	WS-C3650-24PDM
A9K-24X10GE-SE	WS-C3850-48XS-F-S	WS-C3650-48PD
A9K-24X10GE-TR	WS-C3850-48XS-F-E	WS-C3650-48PD
A9K-36X10GE-SE	WS-C3850-48T	WS-C3650-48FD
A9K-36X10GE-TR	WS-C3850-48P	WS-C3650-48PQ
A9K-MPA-8X10GE	WS-C3850-24P	WS-C3650-48PQ
A9K-24X10GE-1G-SE	WS-C3850-24T	WS-C3650-48TQ
A9K-24X10GE-1G-TR	WS-C3850-24S	WS-C3650-48TQ
A9K-48X10GE-1G-SE	WS-C3850-12S-S	WS-C3650-8X24PD
A9K-48X10GE-1G-TR	WS-C3850-12XS	WS-C3650-8X24UQ
A900-IMA8T1Z	WS-C3850-12XS	WS-C3650-12X48UQ
A900-IMA2Z	WS-C3850-16XS	WS-C3650-12X48UR
ASR-920-10SZ	WS-C3850-24XS	WS-C3650-48FQM
ASR-920-12CZ	WS-C3850-24XS	WS-C3650-48FQ
ASR-920-12SZ-IM	WS-C3850-32XS	N540-24Z8Q2C-SYS
ASR-920-24SZ-M	C3850-NM-4-1G	N540X-24Z8Q2C-SYS

Product Specifications:

Wavelength	Cable Type	Data Rate	Clasp Color	Cable Distance
1470nm	Singlemode Fiber (SMF)	1.2-11.3Gbps	Gray	80km
1490nm	Singlemode Fiber (SMF)	1.2-11.3Gbps	Violet	80km
1510nm	Singlemode Fiber (SMF)	1.2-11.3Gbps	Blue	80km
1530nm	Singlemode Fiber (SMF)	1.2-11.3Gbps	Green	80km
1550nm	Singlemode Fiber (SMF)	1.2-11.3Gbps	Yellow	80km
1570nm	Singlemode Fiber (SMF)	1.2-11.3Gbps	Orange	80km
1590nm	Singlemode Fiber (SMF)	1.2-11.3Gbps	Red	80km
1610nm	Singlemode Fiber (SMF)	1.2-11.3Gbps	Brown	80km



CWDM-SFP10G Datasheet

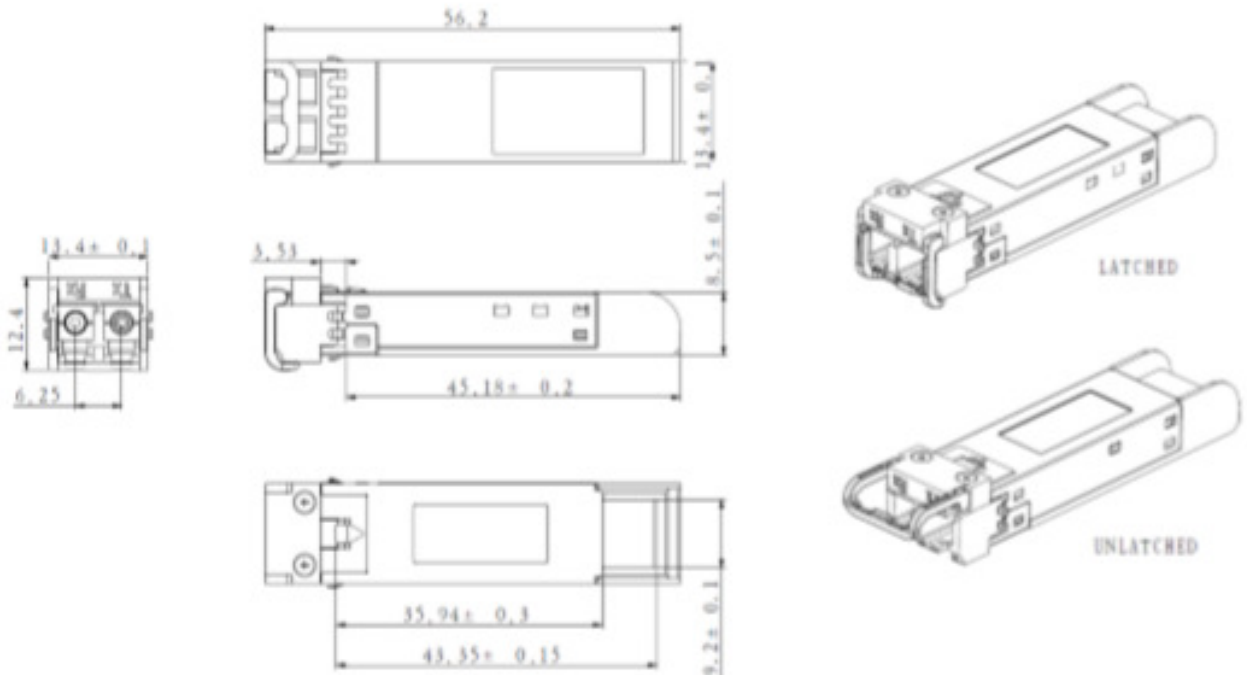
General Specifications:

Parameter	Symbol	Min	Typ	Max	Unit	Remarks
Data Rate	DR	1.2		11.3	Gb/s	1
Bit Error Rate	BER			10^{-12}		
Operating Temperature	T _C	0		70	°C	2
Storage Temperature	T _{STO}	-40		80	°C	3
Supply Current	I _{CC}		450	500	mA	4
Input Voltage	V _{CC}	3.14	3.3	3.46	V	
Maximum Voltage	V _{MAX}	-0.5		4	V	4

Remarks:

1. IEEE 802.3ae
2. Case Temperature
3. Ambient Temperature
4. For electrical power interface

Dimensions:



Warranty: All of our products come with our Lifetime Advance Replacement Warranty meaning you can purchase risk free. We understand that in the event of



CWDM-SFP10G Datasheet

a product malfunction or failure long downtimes are not an option. If you experience a malfunction or failure with a product at any point during your ownership we'll ship a replacement the same day you report the issue. We'll even expedite the shipment if requested, with an effort to provide a delivery date and time that meets your needs.